



ROLLS LUBRICATION SYSTEMS

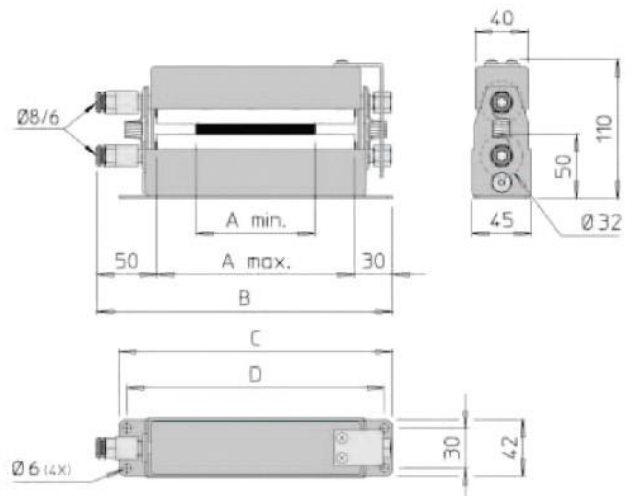


LUBRICATORS WITH FELT ROLLERS DTRE 32

The oil is fed to the rollers from the inside to the outside through cavities. The adjustment of the upper roller on the material is done by means of tension springs.

Technical data:

- Oil viscosity at 40 ° C up to 100 cst
- Advancement length 100 mm
- Number of courses high speed presses
- Material thickness max 1 mm



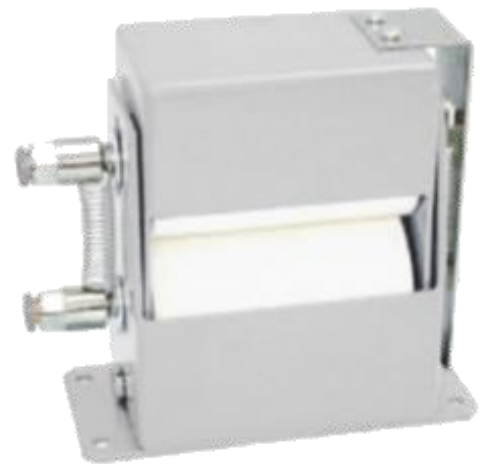
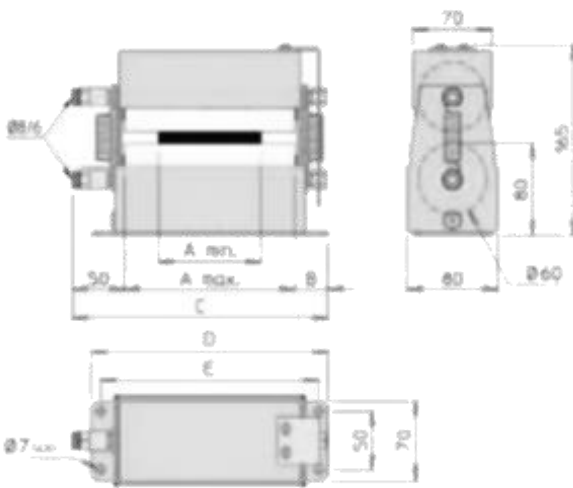
Code	A max.	A min.	B	C	D
DTRE 32 - 020	020	10	100	77	65
DTRE 32 - 030	030	15	110	87	75
DTRE 32 - 050	050	25	130	107	95
DTRE 32 - 075	075	50	155	132	120
DTRE 32 - 100	100	70	180	157	145
DTRE 32 - 150	150	90	230	207	195
DTRE 32 - 200	200	110	280	257	245
DTRE 32 - 250	250	150	330	307	295

LUBRICATORS WITH FELT ROLLERS DTRE 60

The oil is fed to the rollers from the inside to the outside through cavities. The adjustment of the upper roller on the material is done by means of tension springs.

Technical data:

- Oil viscosity at 40° C up to 150 cst
- Advancement length 180 mm
- Number of courses up to 150 / min
- Material thickness min 0,5 max 1,5 mm



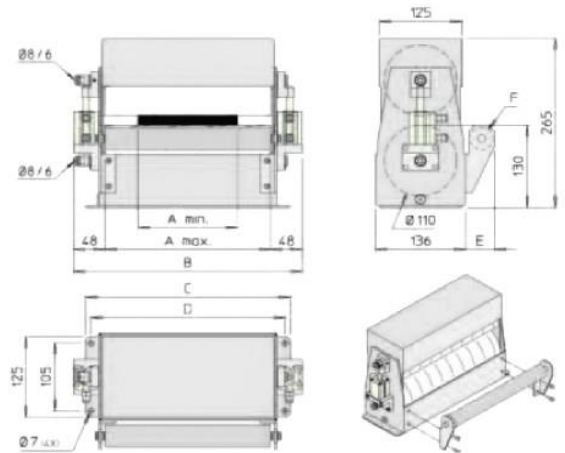
Code	A max.	A min.	B	C	D	E
DTRE 60 - 050	050	25	30	130	108	92
DTRE 60 - 100	100	70	30	180	158	142
DTRE 60 - 150	150	90	30	230	208	192
DTRE 60 - 200	200	110	30	280	258	242
DTRE 60 - 250	250	150	30	330	308	292
DTRE 60 - 300	300	180	30	380	358	342
DTRE 60 - 350	350	210	30	430	408	392
DTRE 60 - 400	400	240	50	500	458	442
DTRE 60 - 450	450	270	50	550	508	492
DTRE 60 - 500	500	300	50	600	558	542
DTRE 60 - 600	600	360	50	700	658	642
DTRE 60 - 700	700	420	50	800	758	742
DTRE 60 - 800	800	480	50	900	858	842

LUBRICATORS WITH FELT ROLLERS DTCR 110

The oil is fed to the rollers from the inside to the outside through cavities. The adjustment of the upper roller on the material is done by means of tension springs.

Technical data:

- Oil viscosity at 40° C up to 200 cst
- Advancement length unlimited
- Number of courses up to 100 / min
- Material thickness min 1 max 5 mm



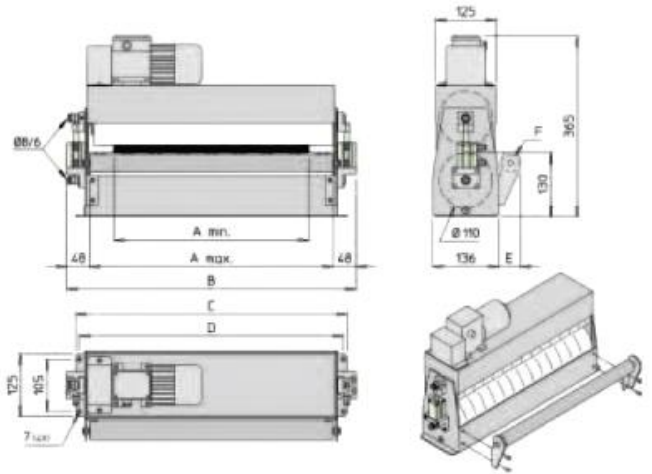
Code	A max.	A min.	B	C	D	E	F
DTCR 110 - 150	150	90	246	209	193	-	-
DTCR 110 - 200	200	110	296	259	243	-	-
DTCR 110 - 250	250	150	346	309	293	-	-
DTCR 110 - 300	300	180	396	359	343	-	-
DTCR 110 - 350	350	210	446	409	393	-	-
DTCR 110 - 400	400	240	496	459	443	-	-
DTCR 110 - 450	450	270	546	509	493	-	-
DTCR 110 - 500	500	300	596	559	543	44	Ø 35
DTCR 110 - 600	600	360	696	659	643	44	Ø 35
DTCR 110 - 700	700	420	796	759	743	44	Ø 35
DTCR 110 - 800	800	480	896	859	843	44	Ø 35
DTCR 110 - 900	900	540	996	959	943	44	Ø 35
DTCR 110 - 1000	1000	600	1096	1059	1043	44	Ø 35

LUBRICATORS WITH FELT MOTORIZED ROLLERS DTCRM 110

The oil is fed to the rollers from the inside to the outside through cavities. The adjustment of the upper roller on the material is done by means of tension springs.

Technical data:

- Oil viscosity at 40° C up to 240 cst
- Advancement length unlimited
- Number of courses up to 100 / min
- Material thickness max 10 mm



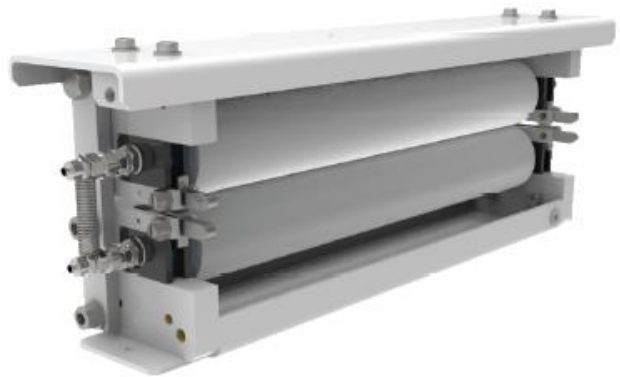
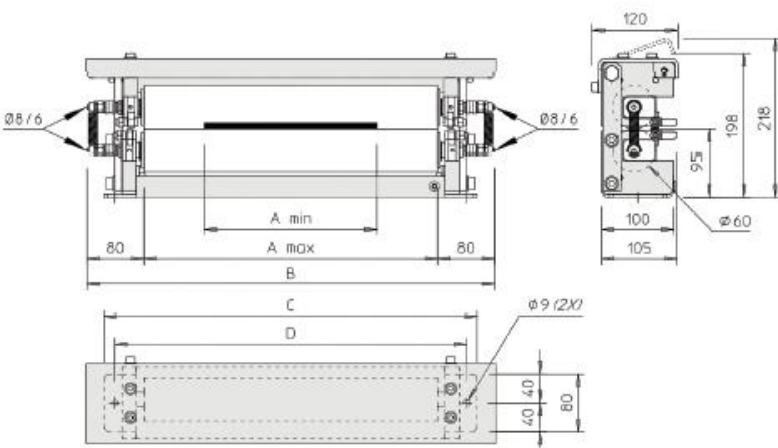
Code	A max.	A min.	B	C	D	E	F
DTCRM 110 - 150	150	90	246	209	193	-	-
DTCRM 110 - 200	200	110	296	259	243	-	-
DTCRM 110 - 250	250	150	346	309	293	-	-
DTCRM 110 - 300	300	180	396	359	343	-	-
DTCRM 110 - 350	350	210	446	409	393	-	-
DTCRM 110 - 400	400	240	496	459	443	-	-
DTCRM 110 - 450	450	270	546	509	493	-	-
DTCRM 110 - 500	500	300	596	559	543	44	Ø 35
DTCRM 110 - 600	600	360	696	659	643	44	Ø 35
DTCRM 110 - 700	700	420	796	759	743	44	Ø 35
DTCRM 110 - 800	800	480	896	859	843	44	Ø 35
DTCRM 110 - 900	900	540	996	959	943	44	Ø 35
DTCRM 110 - 1000	1000	600	1096	1059	1043	44	Ø 35

ROLLER LUBRICATORS WITH QUICK FELT CHANGE DTREA 60

The oil is fed to the rollers from the inside to the outside through cavities. The adjustment of the upper roller on the material is done by means of tension springs. Rollers covered with felt can be quickly replaced using release levers.

Technical data:

- Oil viscosity at 40° C up to 150 cst
- Advancement length 600 mm
- Number of courses up to 150 / min
- Material thickness min 1 max 4 mm



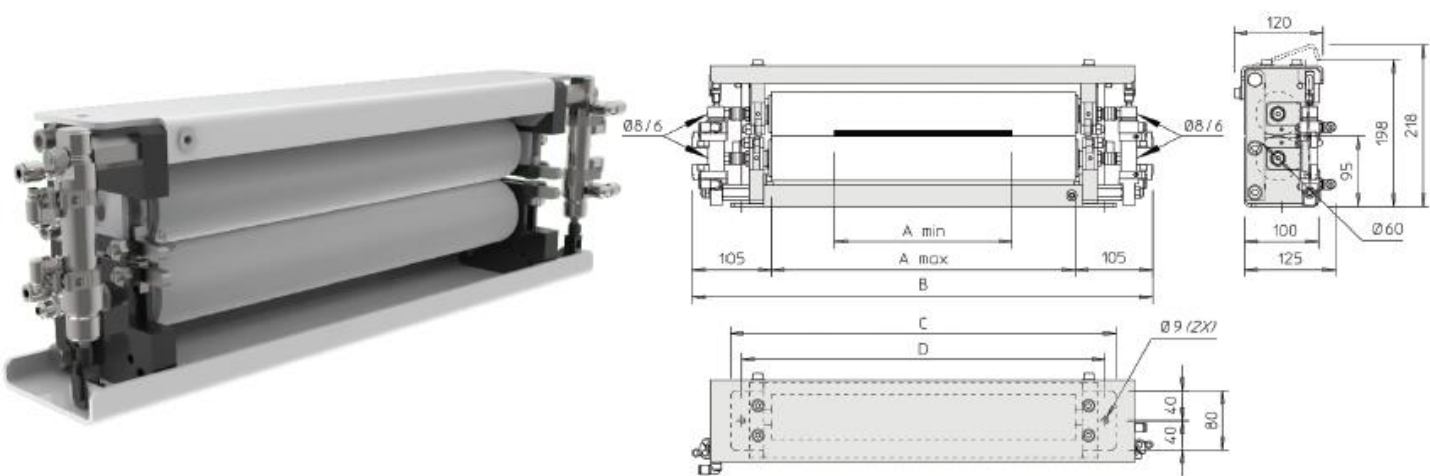
Code	A max.	A min.	B	C	D
DTREA 60 - 100	100	70	260	220	190
DTREA 60 - 150	150	90	310	270	240
DTREA 60 - 200	200	110	360	320	290
DTREA 60 - 250	250	150	410	370	340
DTREA 60 - 300	300	180	460	420	390
DTREA 60 - 350	350	210	510	470	440
DTREA 60 - 400	400	240	560	520	490
DTREA 60 - 450	450	270	610	570	540
DTREA 60 - 500	500	300	660	620	590
DTREA 60 - 600	600	360	760	720	690
DTREA 60 - 700	700	420	860	820	790
DTREA 60 - 800	800	480	960	920	890
DTREA 60 - 900	900	540	1060	1020	990
DTREA 60 - 1000	1000	600	1160	1120	1090

ROLLER LUBRICATORS WITH QUICK FELT CHANGE DTCRPA 60

The oil is fed to the rollers from the inside to the outside through cavities. The adjustment of the upper roller on the material is done by means of pneumatic cylinder. Rollers covered with felt can be quickly replaced using release levers.

Technical data:

- Oil viscosity at 40° C up to 150 cst
- Advancement length 600 mm
- Number of courses up to 150 / min
- Material thickness min 0,5 max 4 mm



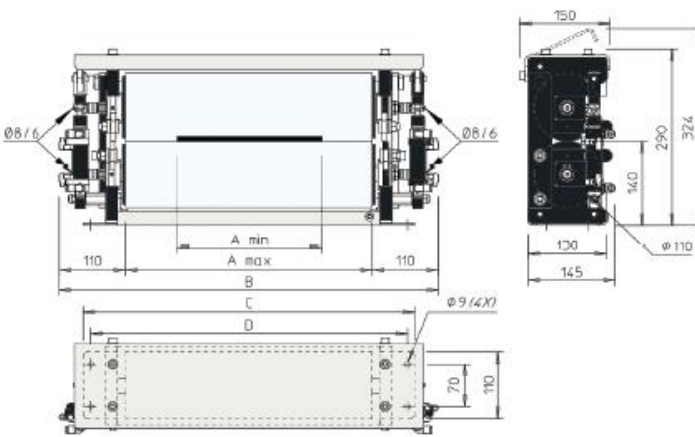
Code	A max.	A min.	B	C	D
DTCRPA 60 - 200	200	110	410	320	290
DTCRPA 60 - 250	250	150	460	370	340
DTCRPA 60 - 300	300	180	510	420	390
DTCRPA 60 - 350	350	210	560	470	440
DTCRPA 60 - 400	400	240	610	520	490
DTCRPA 60 - 450	450	270	660	570	540
DTCRPA 60 - 500	500	300	710	620	590
DTCRPA 60 - 600	600	360	810	720	690
DTCRPA 60 - 700	700	420	910	820	790
DTCRPA 60 - 800	800	480	1010	920	890
DTCRPA 60 - 900	900	540	1110	1020	990
DTCRPA 60 - 1000	1000	600	1210	1120	1090

ROLLER LUBRICATORS WITH QUICK FELT CHANGE DTCRPA 110

The oil is fed to the rollers from the inside to the outside through cavities. The adjustment of the upper roller on the material is done by means of pneumatic cylinder. Rollers covered with felt can be quickly replaced using release levers.

Technical data:

- Oil viscosity at 40° C up to 200 cst
- Advancement length unlimited
- Number of courses up to 100 / min
- Material thickness min 1 max 8 mm



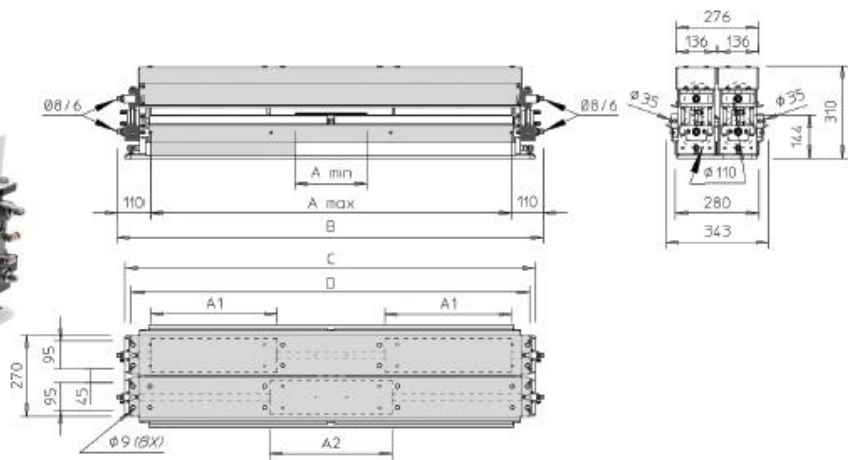
Code	A max.	A min.	B	C	D
DTCRPA 110 - 200	200	110	420	350	325
DTCRPA 110 - 250	250	150	470	400	375
DTCRPA 110 - 300	300	180	520	450	425
DTCRPA 110 - 350	350	210	570	500	475
DTCRPA 110 - 400	400	240	620	550	525
DTCRPA 110 - 450	450	270	670	600	575
DTCRPA 110 - 500	500	300	720	650	625
DTCRPA 110- 600	600	360	820	750	725
DTCRPA 110 - 700	700	420	920	850	825
DTCRPA 110 - 800	800	480	1020	950	925
DTCRPA 110 - 900	900	540	1120	1050	1025
DTCRPA 110 - 1000	1000	600	1220	1150	1125

THREE-SECTION LUBRICATORS WITH FELT ROLLERS DTCR 110-3S

The oil is fed to the rollers from the inside to the outside through cavities. The adjustment of the upper roller on the material is done by means of pneumatic cylinder.

Technical data:

- Oil viscosity at 40° C up to 200 cst
- Advancement length unlimited
- Number of courses up to 100 / min
- Material thickness min 1 max 8 mm



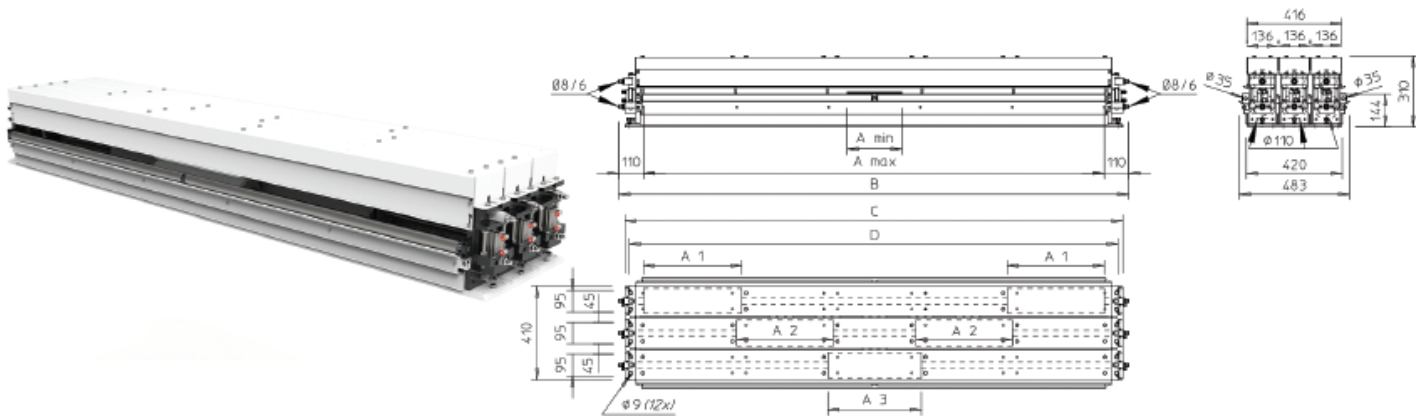
Code	A max.	A min.	A 1	A 2	B	C	D
DTCR 110-3S - 800	800	240	200	400	1020	970	930
DTCR 110-3S - 900	900	240	250	400	1120	1070	1030
DTCR 110-3S - 1000	1000	240	300	400	1220	1170	1130
DTCR 110-3S - 1100	1100	240	350	400	1320	1270	1230
DTCR 110-3S - 1200	1200	240	400	400	1420	1370	1330
DTCR 110-3S - 1300	1300	240	450	400	1520	1470	1430
DTCR 110-3S - 1400	1400	300	450	500	1620	1570	1530
DTCR 110-3S - 1500	1500	300	500	500	1720	1670	1630
DTCR 110-3S - 1600	1600	300	550	500	1820	1770	1730
DTCR 110-3S - 1700	1700	300	600	500	1920	1870	1830
DTCR 110-3S - 1800	1800	360	600	600	2020	1970	1930

THREE-SECTION LUBRICATORS WITH FELT ROLLERS DTCR 110-5S

The oil is fed to the rollers from the inside to the outside through cavities. The adjustment of the upper roller on the material is done by means of pneumatic cylinder.

Technical data:

- Oil viscosity at 40° C up to 200 cst
- Advancement length unlimited
- Number of courses up to 100 / min
- Material thickness min 1 max 8 mm



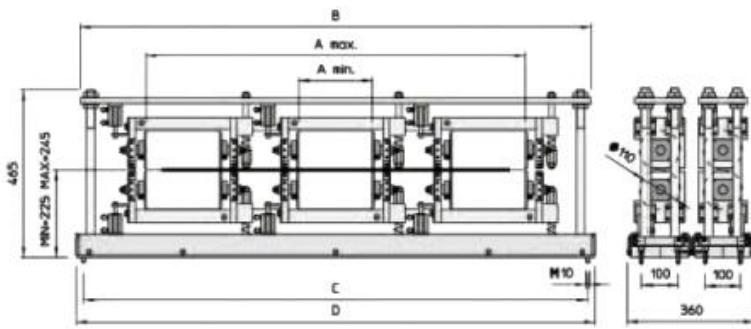
Code	A max.	A min.	A 1	A 2	A 3	B	C	D
DTCR 110-5S - 1600	1600	180	350	300	300	1820	1770	1730
DTCR 110-5S - 1700	1700	180	350	350	300	1920	1870	1830
DTCR 110-5S - 1800	1800	180	400	350	300	2020	1970	1930
DTCR 110-5S - 1900	1900	210	400	375	350	2120	2070	2030
DTCR 110-5S - 2000	2000	240	400	400	400	2220	2170	2130

SECTION ROLLER LUBRICATORS DTCR2P 110

The oil is fed to the rollers from the inside to the outside through cavities. The adjustment of the upper roller on the material is done by means of pneumatic cylinders. The lubricator can be equipped with an extractable tray system for easier maintenance.

Technical data:

- Oil viscosity at 40° C up to 200 cst
- Advancement length unlimited
- Number of courses up to 100 / min
- Material thickness min 1 max 10 mm



Code	Sectors	A min.	A max.	B	C	D
DTCR2P 110	2	200	650	1035	1015	1055
	3	200	1100	1485	1465	1505
	4	200	1550	1935	1915	1955
DTCR2P 110	2	300	850	1235	1215	1255
	3	300	1400	1785	1765	1805
	4	300	1950	2335	2315	2355
DTCR2P 110	2	350	950	1335	1315	1355
	3	350	1550	1935	1915	1955
	4	350	2150	2535	2515	2555



BASIC CONTROL

OIL DROP DISPENSER SYSTEM DTSP 24 lt



The 24 lt trolley metal tank makes up the oil dispensing systems.

The air is introduced into the tank through a quick coupling, thanks to a pressure from 0.5 to 2.5 bar the oil is supplied to the upper roller and to the lower one.

The oil management to the rollers takes place through two different taps (upper and lower).

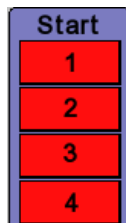
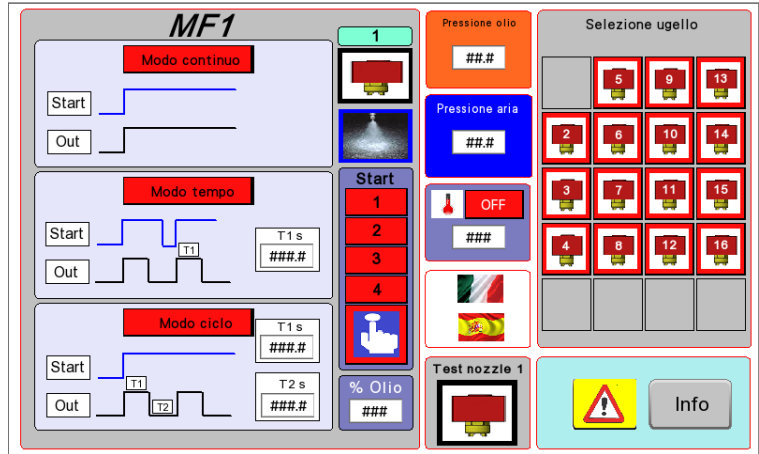
It is a 24 lt pressurized tank, complete with pressure regulator.

24 Vdc oil control valve with upper and lower roller flow regulators.

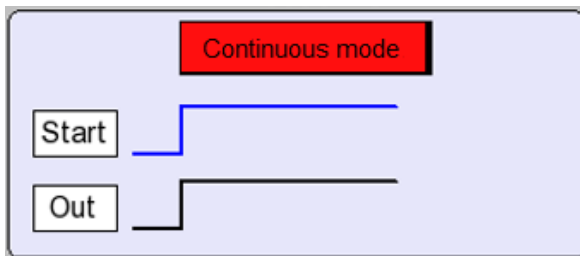
Manual lever control valve for opening pistons.

AVAILABLE OPTION: Electrical level sensor complete with M/F connector.

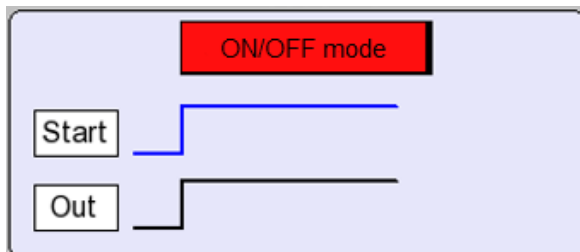
PREMIUM CONTROL



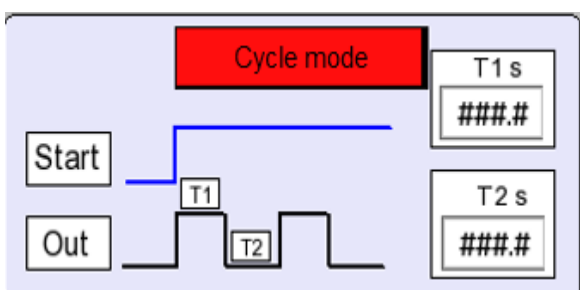
- Selected Nozzle
- Cam Selection
Connectivity to different cam channels
- Pulverization
Regulation for each manifold



CONTINUOUS MODE
From external start signal



TIME MODE
From external start signal



CYCLE MODE ON/ OFF
From external start signal

➤ OUR HEADQUARTER

📍 Via Madre Teresa di Calcutta 9-13,
Z.I. Malpensata, 26866, Sant'Angelo
Lodigiano (LO) – IT



+39 0371 210 129



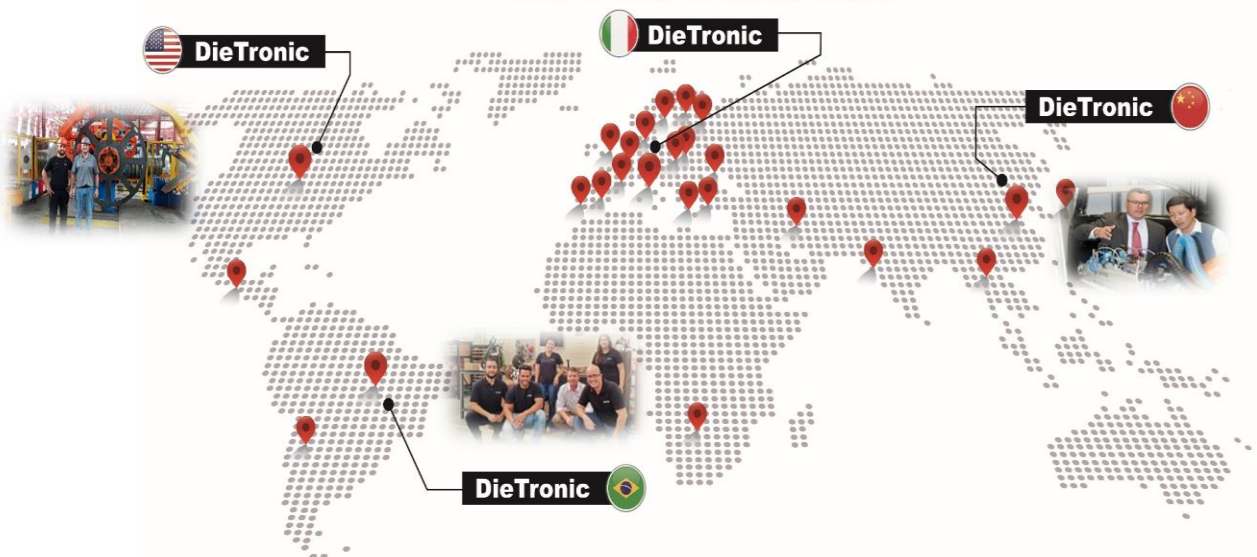
+39 0371 214 321



sales@dietronic.eu



www.dietronic.eu &
www.tubesurface.com



➤ OUR GLOBAL NETWORK

Our Team is available worldwide for:

- Technical Support
- Periodical Maintenance Programs
- Possibility of remote assistance (h24)
- Spare Parts Stock available in Italy, US, Brazil and China



NUMERO VERDE GRATUITO
800 947 397

NUMERO VERDE GRATUITO
+39 0371 070075